

## Instrument Air Filter Regulator

Type 330



The Type 330 Instrument Air Filter Regulator is designed to provide clean, accurate air pressure to instruments, valves, and other automatic control equipment in a lightweight, compact housing. This filter regulator has been constructed of durable materials that will provide long lasting corrosion resistance in harsh industrial environments.

### FEATURES

#### Compact and Light Weight Construction

-Will mount where competitive units won't

#### Second Gauge Port Option

-Allows easier and lower cost mounting and plumbing connections

#### Direct, Pipe or Bracket Mounting

-Compatible for field replacement of other brands

#### Low Air Consumption

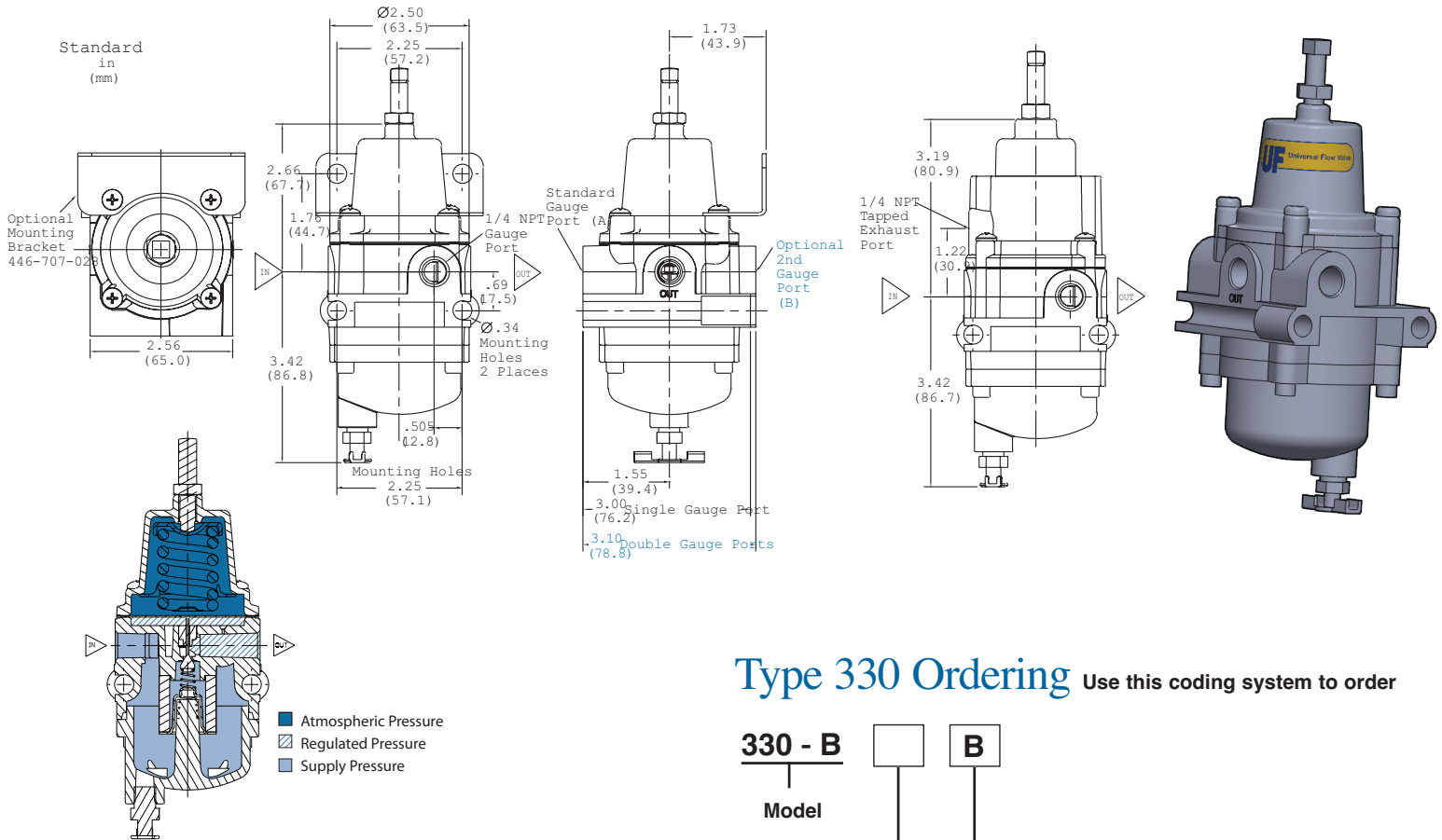
-Lower operating costs

#### Rugged, Corrosion Resistant Design

-Functional for harsh service conditions



## TYPE 330.DIMENSION



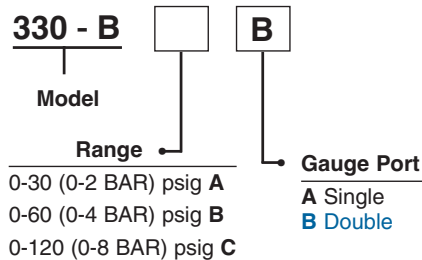
### SPECIFICATIONS

<b>Port Size</b>	In/Out/Gauge: 1/4" NPT
<b>Output Ranges</b>	0-30 psig (0-2 BAR), 0-60 psig (0-4 BAR), 0-120 psig (0-8 BAR)
<b>Maximum Supply Pressure</b>	250 psig (17 BAR)
<b>Mounting</b>	Pipe, bracket or through body direct
<b>Filter</b>	40 micron (optional 5 micron)
<b>Flow Capacity</b>	22 scfm (37 m3/hr) at 100 psig (7 BAR) supply with 20 psig(1.4 BAR) output
<b>Exhaust Capacity</b>	0.1 scfm (0.2 m3/hr) with downstream pressure 5 psig (0.3 BAR) above set point
<b>Sensitivity</b>	1" of water
<b>Air Consumption</b>	Less than 5 scfh (0.2 m3/hr)
<b>Effect of Supply Pressure Variation</b>	Less than 0.2 psig (0.01 BAR) for 25 psig (1.7 BAR) change
<b>Temperature Limits</b>	0° to 160° F (-18° C to 71° C)
<b>Weight</b>	1.2 lb (0.45 kg)

### MATERIALS

<b>Body</b>	Diecast Aluminum Alloy, Irridite and Baked Epoxy Finish
<b>Filter</b>	Phenolic Impregnated Cellulose
<b>Diaphragm</b>	Nitrile Elastomer and Nylon Fabric
<b>Valve Seat Plug</b>	Nitrile Elastomer
<b>Additional Materials</b>	Brass, Zinc Plated Steel, Acetal

### Type 330 Ordering Use this coding system to order



### Accessories

**Mounting Bracket:** P/N 3300001

**Gauges:** 1/4" NPT back-mount, 2" face, Dual Scale

0-15 psi (0-1 BAR) P/N 9000055

0-30 psi (0-2 BAR) P/N 9000056

0-60 psi (0-4 BAR) P/N 9000057

0-160 psi (0-10 BAR) P/N 9000058

### Warranty

Universal Flow products are warranted to be free from defects in materials and workmanship for a period of eighteen months from the date of sale, provided said products are used according to Universal Flow recommended usages. Universal Flow liability is limited to the repair, purchase price refund, or replacement in kind, at Universal Flow's sole option, of any products proved defective. Universal Flow reserves the right to discontinue manufacture of any products or change products materials, designs or specifications without notice. Note: Universal Flow does not assume responsibility for the selection, use, or maintenance of any product. Responsibility for the proper selection, use, and maintenance of any Universal Flow product remains solely with the purchaser and end user.